

UNITED STATES DEPARTMENT OF THE INTERIOR  
NATIONAL PARK SERVICE

FOR NPS USE ONLY

RECEIVED

DATE ENTERED

NATIONAL REGISTER OF HISTORIC PLACES  
INVENTORY -- NOMINATION FORM

SEE INSTRUCTIONS IN HOW TO COMPLETE NATIONAL REGISTER FORMS  
TYPE ALL ENTRIES -- COMPLETE APPLICABLE SECTIONS

**1 NAME**

HISTORIC

1 CARROLTON COVERED BRIDGE

AND/OR COMMON

**2 LOCATION**

STREET & NUMBER

Secondary Road 36 at junction of Secondary Road 11/3

NOT FOR PUBLICATION

CITY, TOWN

CONGRESSIONAL DISTRICT

Crossing Buchannon River at Carrollton

2

STATE

CODE

COUNTY

CODE

West Virginia

54

Barbour

001

**3 CLASSIFICATION**

CATEGORY	OWNERSHIP	STATUS	PRESENT USE	
<input type="checkbox"/> DISTRICT	<input checked="" type="checkbox"/> PUBLIC	<input checked="" type="checkbox"/> OCCUPIED in service	<input type="checkbox"/> AGRICULTURE	<input type="checkbox"/> MUSEUM
<input type="checkbox"/> BUILDING(S)	<input type="checkbox"/> PRIVATE	<input type="checkbox"/> UNOCCUPIED	<input type="checkbox"/> COMMERCIAL	<input type="checkbox"/> PARK
<input checked="" type="checkbox"/> STRUCTURE	<input type="checkbox"/> BOTH	<input type="checkbox"/> WORK IN PROGRESS	<input type="checkbox"/> EDUCATIONAL	<input type="checkbox"/> PRIVATE RESIDENCE
<input type="checkbox"/> SITE	<input type="checkbox"/> PUBLIC ACQUISITION	<input type="checkbox"/> ACCESSIBLE	<input type="checkbox"/> ENTERTAINMENT	<input type="checkbox"/> RELIGIOUS
<input type="checkbox"/> OBJECT	<input type="checkbox"/> IN PROCESS	<input type="checkbox"/> YES: RESTRICTED	<input type="checkbox"/> GOVERNMENT	<input type="checkbox"/> SCIENTIFIC
	<input type="checkbox"/> BEING CONSIDERED	<input checked="" type="checkbox"/> YES: UNRESTRICTED	<input type="checkbox"/> INDUSTRIAL	<input checked="" type="checkbox"/> TRANSPORTATION
		<input type="checkbox"/> NO	<input type="checkbox"/> MILITARY	<input type="checkbox"/> OTHER:

**4 OWNER OF PROPERTY**

NAME

West Virginia Department of Highways

STREET & NUMBER

1900 Washington Street, East

CITY, TOWN

Charleston

VICINITY OF

STATE

West Virginia 25305

**5 LOCATION OF LEGAL DESCRIPTION**

COURTHOUSE,  
REGISTRY OF DEEDS, ETC.

Barbour County Court House, Office of the County Clerk

STREET & NUMBER

Main Street

CITY, TOWN

Philippi

STATE

West Virginia 25416

**6 REPRESENTATION IN EXISTING SURVEYS**

TITLE

None

DATE

FEDERAL  STATE  COUNTY  LOCAL

DEPOSITORY FOR  
SURVEY RECORDS

CITY, TOWN

STATE

SIGNI

# DESCRIPTION

## CONDITION

EXCELLENT  
 GOOD  
 FAIR

DETERIORATED  
 RUINS  
 UNEXPOSED

## CHECK ONE

UNALTERED  
 ALTERED

## CHECK ONE

ORIGINAL SITE  
 MOVED DATE \_\_\_\_\_

### DESCRIBE THE PRESENT AND ORIGINAL (IF KNOWN) PHYSICAL APPEARANCE

The Carrollton Covered Bridge has a span of 140 feet-9 inches from the centers of the opposite endposts and is 16 feet wide. It has board-and-batten siding and a modern wooden shingle roof. The very plain end gable is attractively decorated by a simple wood cruciform.

The superstructure is an excellent example of a patented Burr Arch type and consists of two multiple kingpost trusses, with panels 10 feet-1 inch long and 11 feet-3 inches high, each sandwiched between a two piece arch made up of 7½ x 15 inch timbers. The ends of the 7 x 9 inch diagonals fit into the enlarged inclined ends of the 7 x 12 inch verticles. Approximately 7 feet below the bottom chord, which is composed of two-7 x 12 ¾ inch members, the ends of the arches rest on the abutments, and the distance from the center line of the arch to the bottom of the two-7 x 8½ inch members making up the top chord is 3 feet. One of the noteworthy features of the trusses are the massive centerposts, which are tapered to a minimum width of eight inches and flare out at the top to a maximum width of 18 inches.

In 1962 the bridge was deemed unsafe for travel. Local community efforts helped to save the bridge and bring about the bridge's subsequent renovation. In 1963 the timber deck was replaced by a 150 foot three-span concrete deck with a 12 foot roadway and a 3 foot sidewalk. Modifications were made to the abutments and two concrete piers were added in order to provide adequate support for the deck.

MOD  
HISTORIC  
1499  
1599  
1799  
1899

# SIGNIFICANCE

PERIOD	AREAS OF SIGNIFICANCE -- CHECK AND JUSTIFY BELOW			
<input type="checkbox"/> PREHISTORIC	<input type="checkbox"/> ARCHEOLOGY-PREHISTORIC	<input type="checkbox"/> COMMUNITY PLANNING	<input type="checkbox"/> LANDSCAPE ARCHITECTURE	<input type="checkbox"/> RELIGION
<input type="checkbox"/> 1400-1499	<input type="checkbox"/> ARCHEOLOGY-HISTORIC	<input type="checkbox"/> CONSERVATION	<input type="checkbox"/> LAW	<input type="checkbox"/> SCIENCE
<input type="checkbox"/> 1500-1599	<input type="checkbox"/> AGRICULTURE	<input type="checkbox"/> ECONOMICS	<input type="checkbox"/> LITERATURE	<input type="checkbox"/> SCULPTURE
<input type="checkbox"/> 1600-1899	<input type="checkbox"/> ARCHITECTURE	<input type="checkbox"/> EDUCATION	<input type="checkbox"/> MILITARY	<input type="checkbox"/> SOCIAL/HUMANITARIAN
<input type="checkbox"/> 1700-1799	<input type="checkbox"/> ART	<input checked="" type="checkbox"/> ENGINEERING	<input type="checkbox"/> MUSIC	<input type="checkbox"/> THEATER
<input checked="" type="checkbox"/> 1800-1899	<input type="checkbox"/> COMMERCE	<input type="checkbox"/> EXPLORATION/SETTLEMENT	<input type="checkbox"/> PHILOSOPHY	<input checked="" type="checkbox"/> TRANSPORTATION
<input type="checkbox"/> 1900-	<input type="checkbox"/> COMMUNICATIONS	<input type="checkbox"/> INDUSTRY	<input type="checkbox"/> POLITICS/GOVERNMENT	<input type="checkbox"/> OTHER (SPECIFY)
		<input type="checkbox"/> INVENTION		

SPECIFIC DATES

1856

BUILDER/ARCHITECT

Emmett J. & Daniel O'Brien

## STATEMENT OF SIGNIFICANCE

Nineteenth century maps (1, 2) show an "M. F. Pike", which crosses the Buchannon River at the present location of the Carrollton bridge. The "M. F. Pike" is probably the "Middle Fork Road", which is mentioned in the 1855 (3) and 1857 (4) Annual Reports of the Virginia Board of Public Works. Included in these reports is reference to a contract for a "Buchannon bridge", which was constructed on the Middle Fork Road and spanned the Buchannon River. The bridge's length was the same span (approximately 142 feet) as the present day Carrollton bridge.

Emmett J. and Daniel O'Brien were the contractors for the Buchannon bridge. A native of Beverly, West Virginia, Emmett had been the masonry contractor for the more famous Philippi bridge (2). The O'Brien brothers raised the superstructure prior to November 25, 1855, and construction was completed in the fall of 1856 (4).

The original cost of the bridge was \$2,928.11 for the 839 perches making up the abutments and \$1,691.15 for the superstructure, which was built for \$11.875 per lineal foot. However, after the contract was awarded, the unforeseen instability of the river banks made it necessary to increase the width of the superstructure by two feet and the length of the wing walls by twenty feet. As a result of these modifications, \$200.00 was added to the cost of the superstructure. The total cost of the bridge was \$4,819.26 (3, 4).

The Carrollton Covered Bridge is one of the two remaining covered bridges in Barbour County. It is the second longest covered bridge in West Virginia and it is one of three bridges in the state, which display the patented Burr Arch System. Constructed approximately two years following the completion of the Philippi bridge, it stands as the 3rd oldest covered bridge in West Virginia.

**9 MAJOR BIBLIOGRAPHICAL REFERENCES**

See Attached Sheet

**10 GEOGRAPHICAL DATA**

ACREAGE OF NOMINATED PROPERTY Not applicable

UTM REFERENCES Quad. name Audra

Quad. scale 1:24000

A	<u>17</u>	<u>578985</u>	<u>4326960</u>
	ZONE	EASTING	NORTHING

B			
	ZONE	EASTING	NORTHING

C			
	ZONE	EASTING	NORTHING

D			
	ZONE	EASTING	NORTHING

VERBAL BOUNDARY DESCRIPTION

**LIST ALL STATES AND COUNTIES FOR PROPERTIES OVERLAPPING STATE OR COUNTY BOUNDARIES**

STATE	CODE	COUNTY	CODE
STATE	CODE	COUNTY	CODE

**11 FORM PREPARED BY**

NAME / TITLE

E. L. Kemp, Professor of the History of Science & Technology & Civil Engineering

ORGANIZATION

West Virginia University

DATE

STREET & NUMBER

G14 Woodburn Hall, Town Campus

TELEPHONE

(304) 293-3867

CITY OR TOWN

Morgantown,

STATE

West Virginia 26506

**12 STATE HISTORIC PRESERVATION OFFICER CERTIFICATION**

THE EVALUATED SIGNIFICANCE OF THIS PROPERTY WITHIN THE STATE IS:

NATIONAL     

STATE     

LOCAL     

As the designated State Historic Preservation Officer for the National Historic Preservation Act of 1966 (Public Law 89-665), I hereby nominate this property for inclusion in the National Register and certify that it has been evaluated according to the criteria and procedures set forth by the National Park Service.

FEDERAL REPRESENTATIVE SIGNATURE

TITLE

DATE

FOR NPS USE ONLY

I HEREBY CERTIFY THAT THIS PROPERTY IS INCLUDED IN THE NATIONAL REGISTER

DATE

DIRECTOR, OFFICE OF ARCHEOLOGY AND HISTORIC PRESERVATION

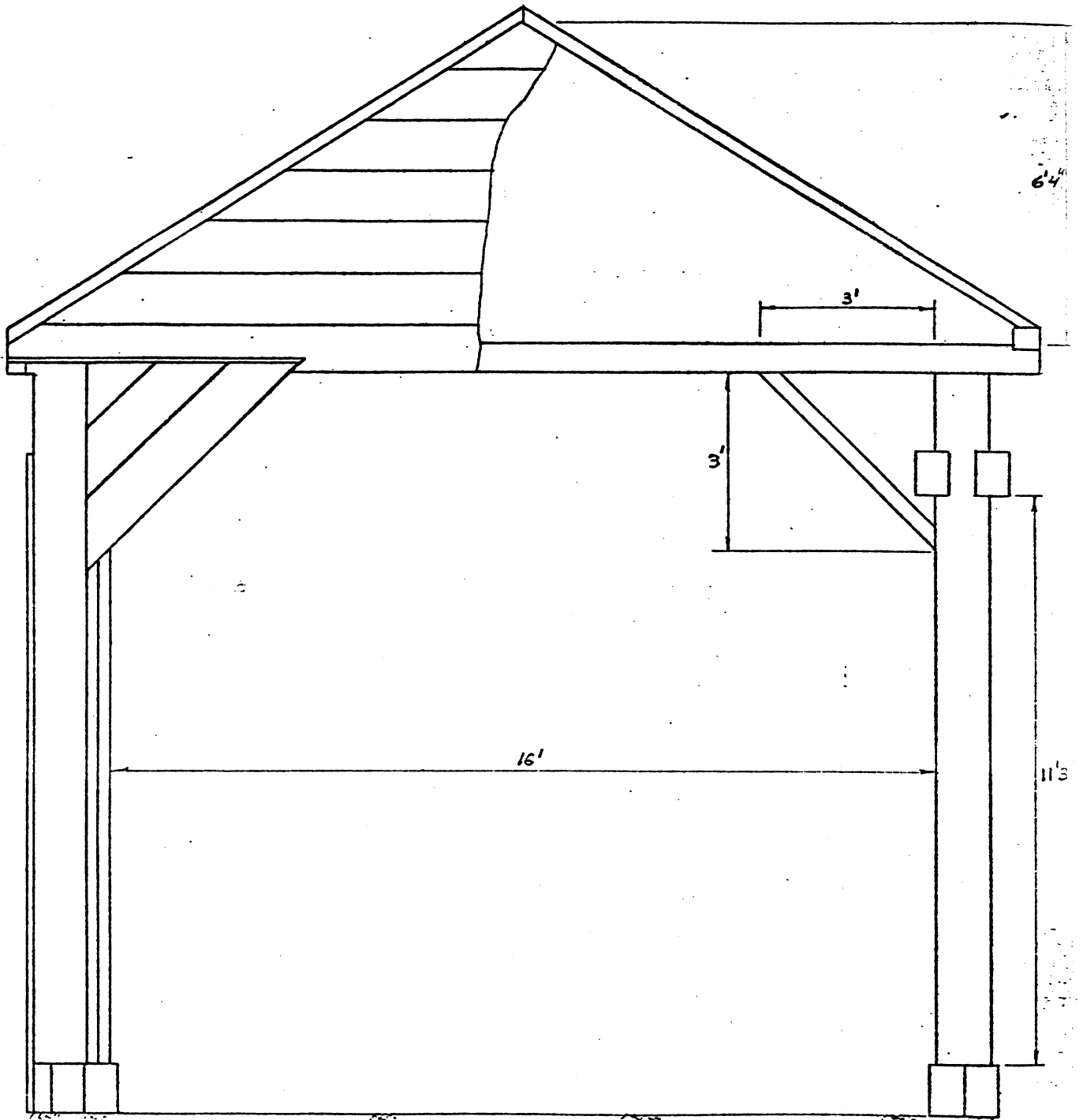
ATTEST:

DATE

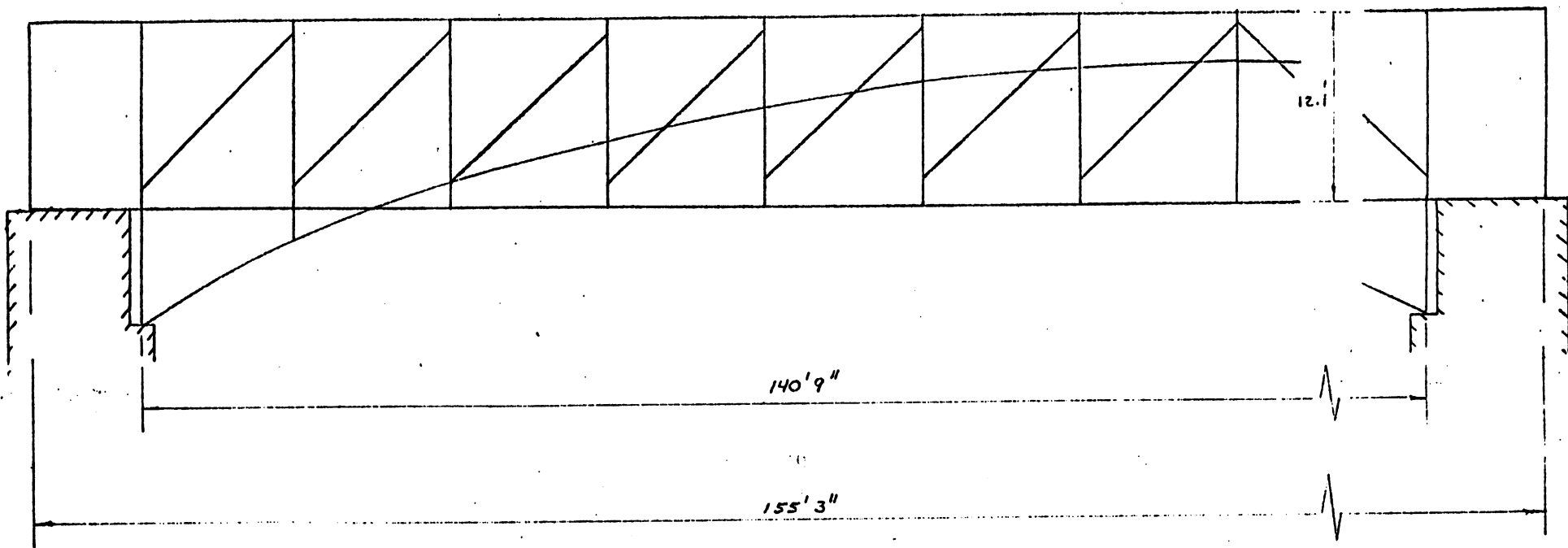
KEEPER OF THE NATIONAL REGISTER

9. MAJOR BIBLIOGRAPHICAL REFERENCES

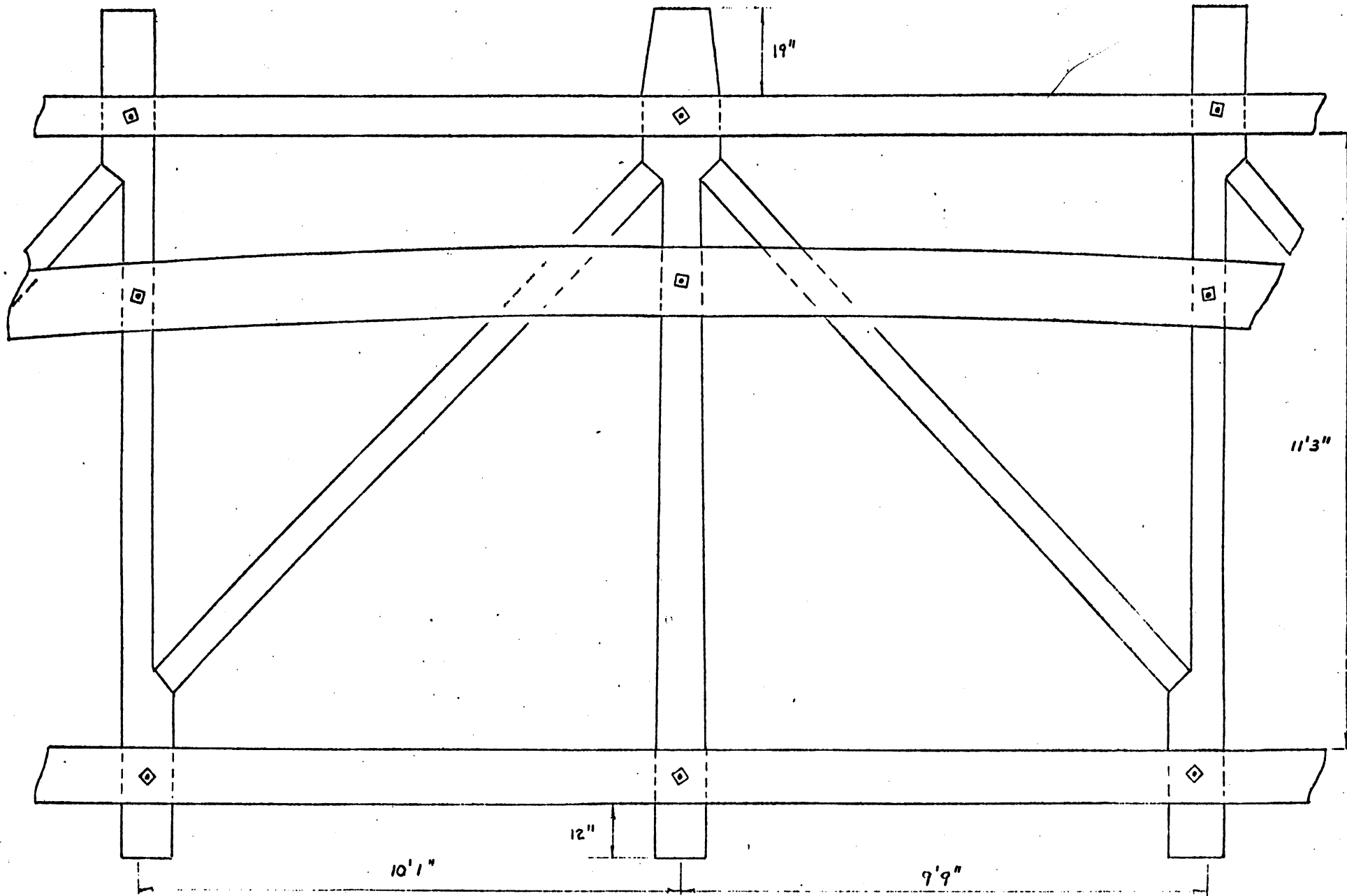
1. Hardesty's Historical and Geographical Encyclopedia, Illustrated. Special History of the Virginia's. Maps and Histories of the Lewis, Upshur, and Barbour Counties, West Virginia. (Chicago and Toledo: H. H. Hardesty and Co., 1883), p. 22 Coverleaf).
2. Carnes, Eva Margaret, ed., Centennial History of the Philippi Bridge 1852-1952. (Philippi, West Virginia: The Barbour County Historical Society, 1952), p. 49.
3. "Thirty-Ninth Annual Report of the Board of Public Works to the General Assembly of Virginia with the Accompanying Documents," Richmond, Virginia, 1855, pp. 713-715.
5. Allen, Richard Sanders, Covered Bridges of the Middle Atlantic States. Brattleboro, Vermont: The Stephen Green Press, 1959, p. 90.
6. Auvil, Myrtle, Covered Bridges of West Virginia, Past and Present. Parsons, West Virginia: McClain Printing Company, 1977, p. 65.



1. CARROLLTON COVERED BRIDGE

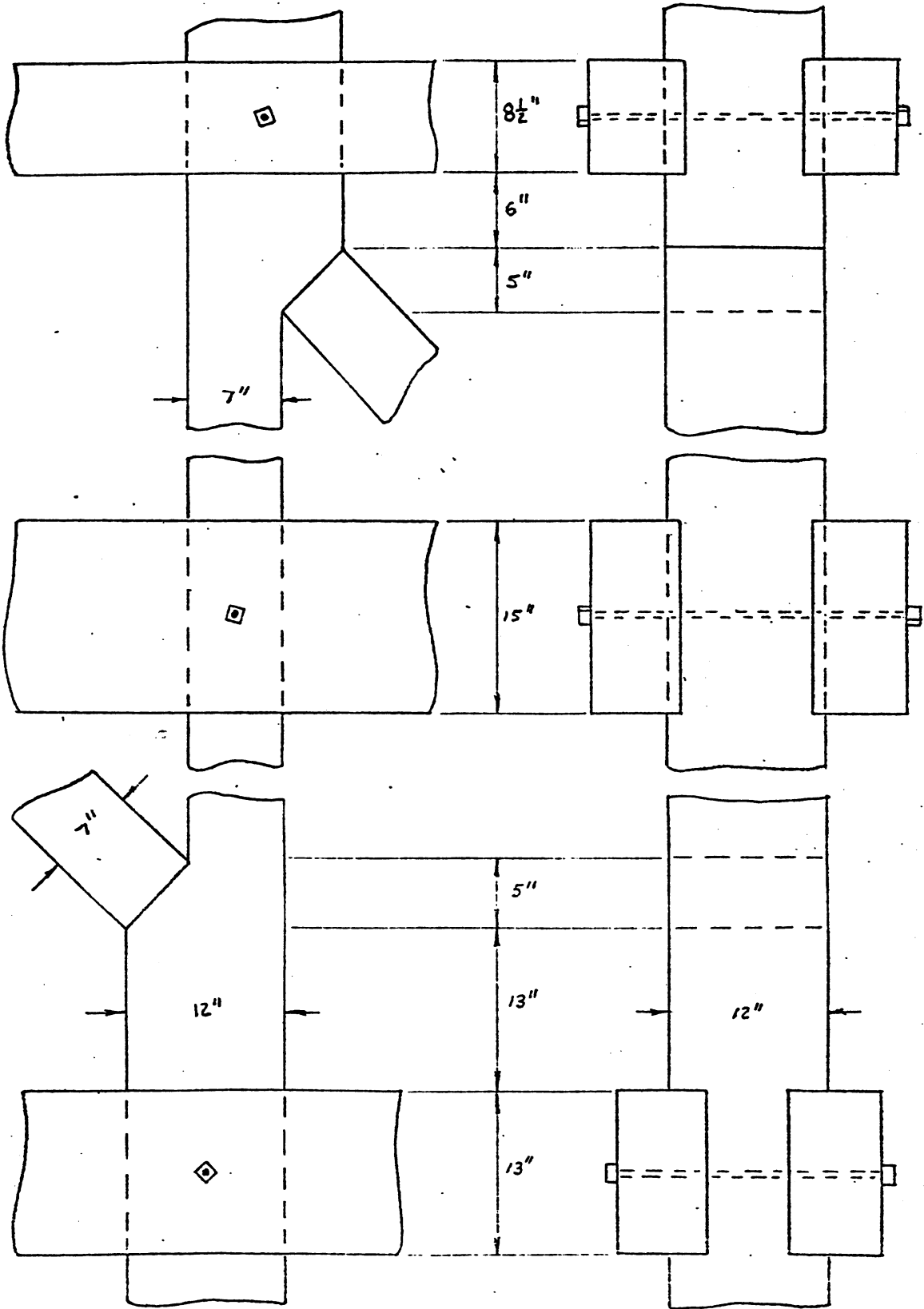


1. CARROLLTON COVERED BRIDGE



1. CARROLLTON COVERED BRIDGE





1. CARROLLTON COVERED BRIDGE

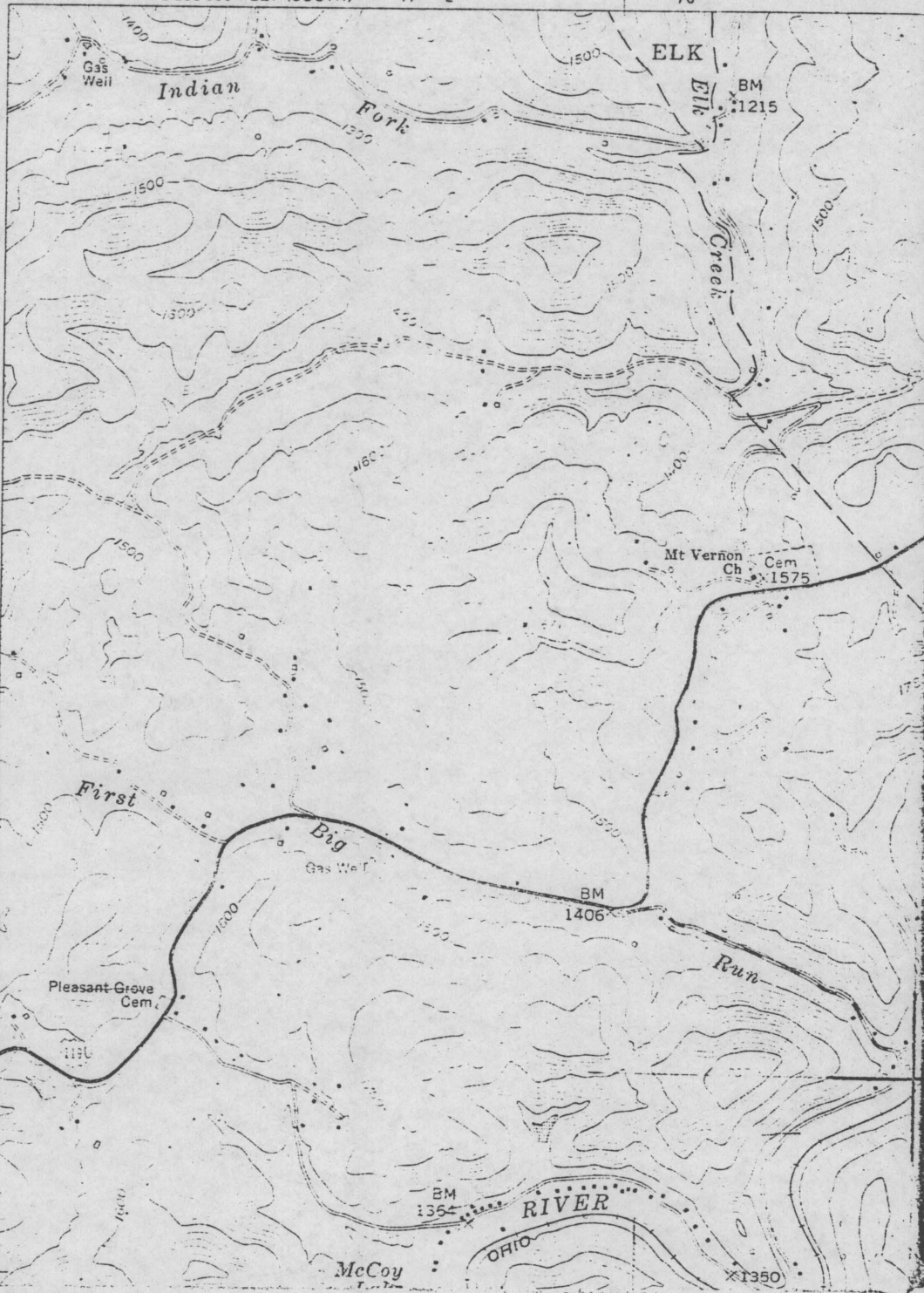
4962 II NW  
(BROWNTON)

UNITED STATES  
DEPARTMENT OF THE INTERIOR  
GEOLOGICAL SURVEY

80°07'30"  
39°07'30"

576 2 250 000 FEET (SOUTH) 577°-E

578



4330

770 000 FEET  
(SOUTH)

4329

4328

BUCKNANO 12 MI  
HODGESVILLE

*Barbour*

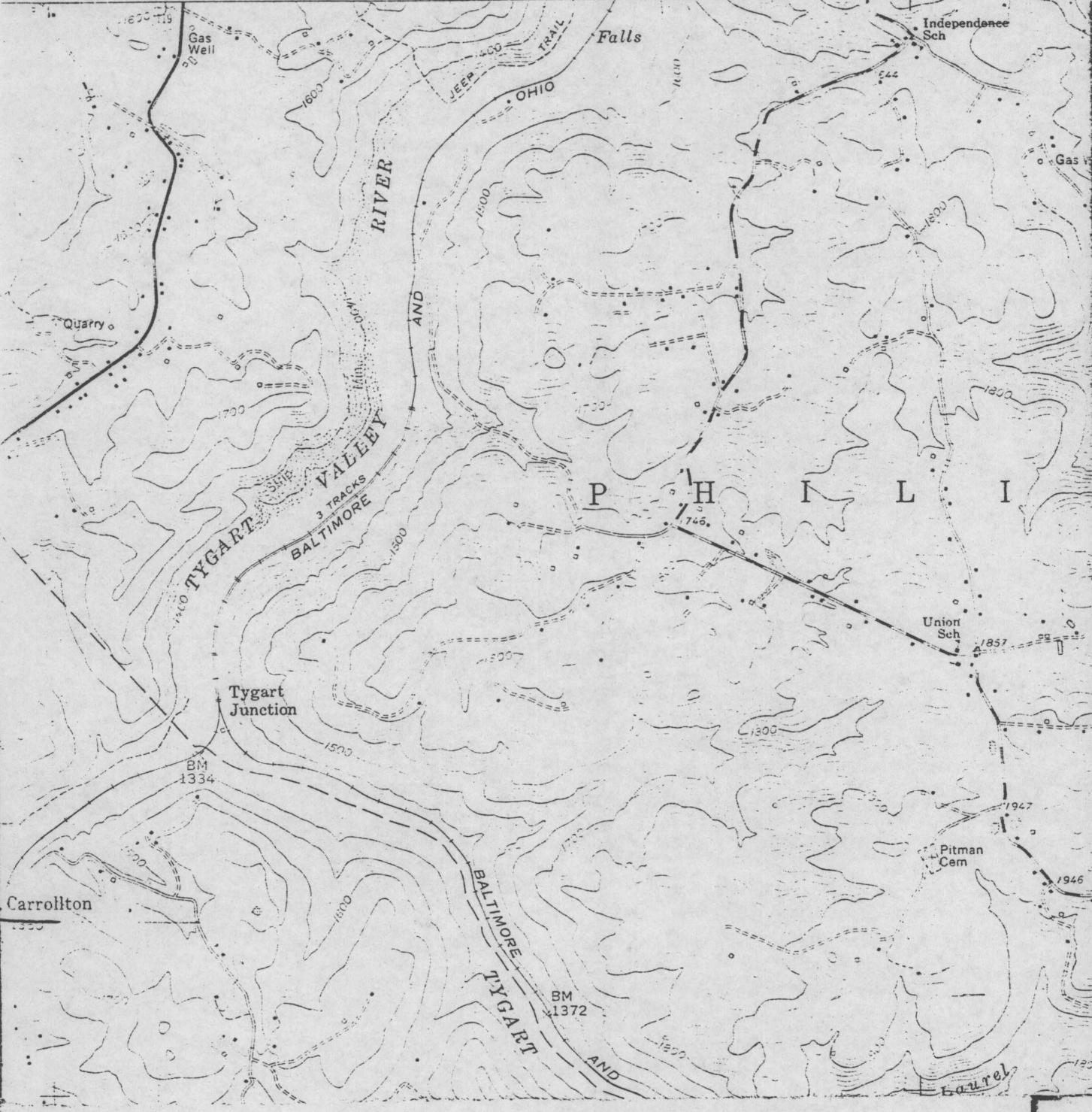
CARROLLTON COVERED  
BRIDGE  
CARROLLTON, BARBOUR  
COUNTY  
WEST VIRGINIA

U114  
11/578985/4326460

①

STATE OF WEST VIRGINIA  
REPRESENTED BY THE  
STATE OF WEST VIRGINIA GEOLOGICAL SURVEY  
AND OTHER STATE AGENCIES

79 5' GRAFTON 17 MI PHILIPPI 3 MI 4962 II NE (PHILIPPI) PHILIPPI (U.S. 250) 2 MI 2'30" '83 1 850 000 FE



2.